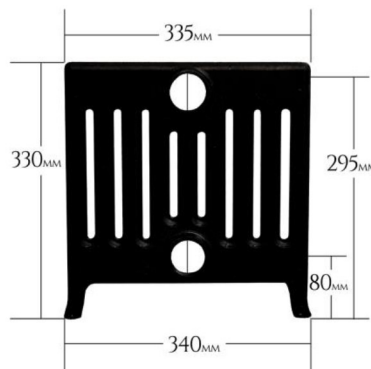


TIMELESS RADIATORS



THE VICTORIAN 9

SIZE CHART



RA 9330

| SECTIONS | LENGTH | BTUs @ $\Delta T60$ | WATTS @ $\Delta T60$ |
|----------|--------|---------------------|----------------------|
| 1 | | 444 | 130 |
| 2 | | 888 | 260 |
| 3 | | 1332 | 390 |
| 4 | 256mm | 1776 | 520 |
| 5 | 315mm | 2220 | 650 |
| 6 | 371mm | 2664 | 780 |
| 7 | 427mm | 3108 | 910 |
| 8 | 483mm | 3552 | 1040 |
| 9 | 539mm | 3996 | 1170 |
| 10 | 595mm | 4440 | 1300 |
| 11 | 651mm | 4884 | 1430 |
| 12 | 707mm | 5328 | 1560 |
| 13 | 763mm | 5772 | 1690 |
| 14 | 819mm | 6216 | 1820 |
| 15 | 875mm | 6660 | 1950 |

TIMELESS RADIATORS



OVERVIEW

The VICTORIAN 9 cast iron radiator is ideally designed to sit under a low windowsill or as a secondary heat source to underfloor heating.

All Beaumont cast iron radiators are carefully hand made to your own required BTUs and fully assembled ready for plumbing into your new or existing pipework.

The VICTORIAN 9 can be finished in a variety of colours – metallic, Farrow & Ball range, RAL colours or primed for onsite painting.

Because each radiator section is specially hand cast there may be a slight variation in the length of each radiator once built (end bush to end bush), please allow for this in your pipework fittings.

DEPTH OF SECTION FROM SKIRTING BOARD = 330MM

SECTION WIDTH = 56MM

WEIGHT = 8KG DRY